

PRODUCT CATALOGUE

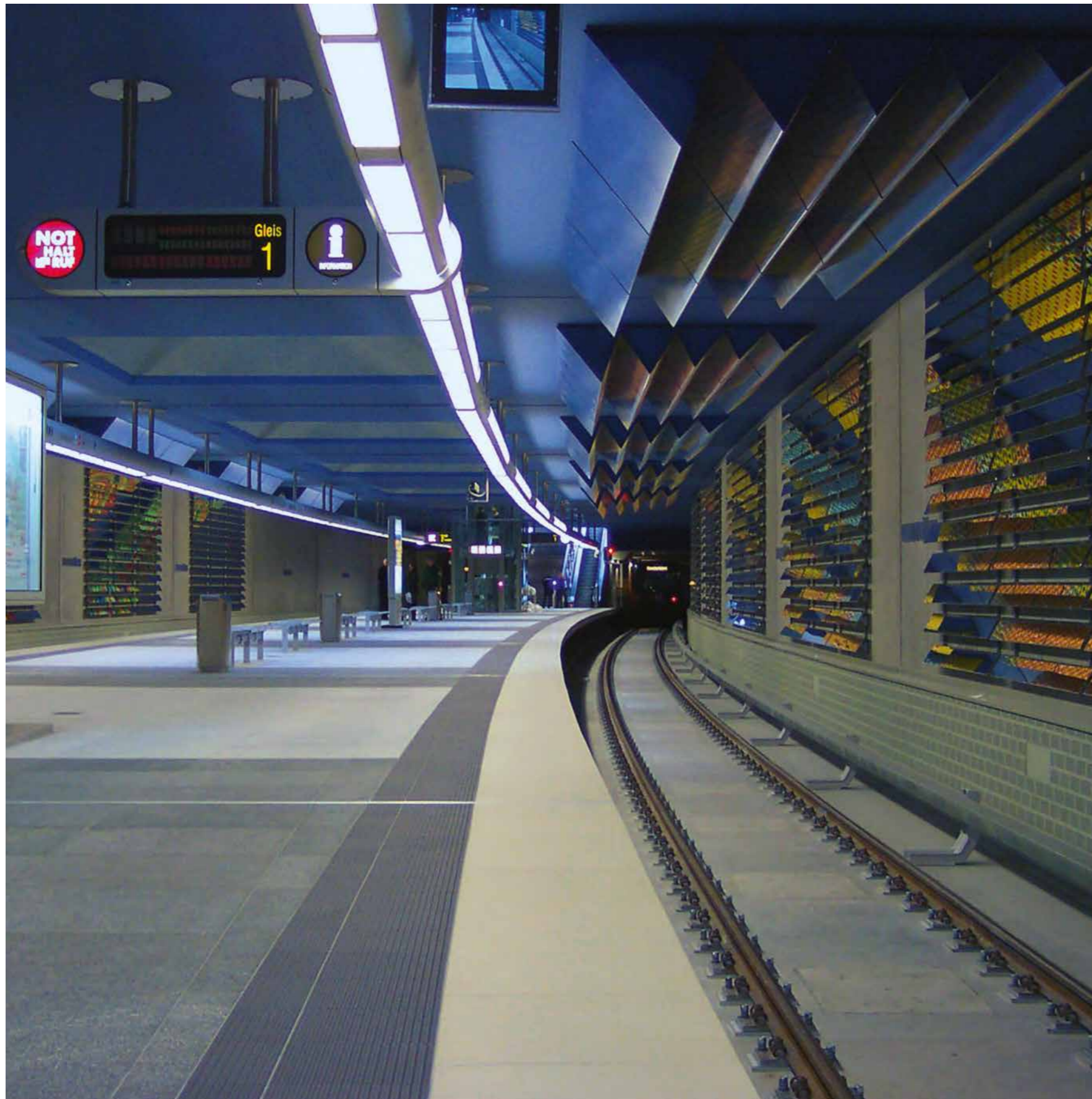
LIGHTING SYSTEMS

CONTENTS

INTRODUCTION	4
BUILDING ART	8
EVERYTHING FROM A SINGLE SOURCE	10
QUALITY, SAFETY & EFFICIENCY	12
FISCHER LICHT & METALL	13

UNSERE PRODUKTE

DB 94	15	F 18	22
DB 1	15	FK 02	23
F 08	16	F 02	23
F 08 H	16	DB 150	24
F 08 H CORNER VERSION	17	DB 175	24
FLB 94 H	17	DB 200	25
FLB 94 H	18	LR 220	25
FLB 94 H CORNER VERSION	18	DB 300	26
FT 02	19	DB 400	26
FB 02	19	HANDRAIL	27
LK 225X300	20	PIGEON DEFENCE	31
LK 225X250	20	MOUNTING	32
LK 225X150	21	POSSIBLE	34
F 10	22	COMBINATIONS	



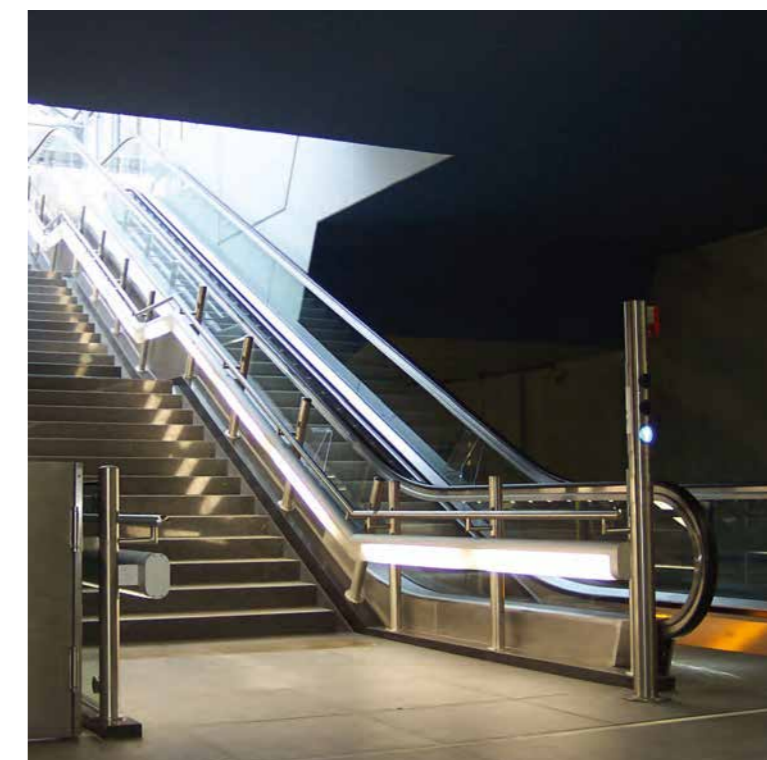
WITH US, YOUR PROJECT WILL SHINE.

FISCHER has been producing lighting systems for public spaces for over 40 years. These form part of the permanent fittings in mainline and local railway stations, underground stations, congress centres, shopping centres and other public spaces. We create aesthetically pleasing lighting solutions through creative dialogue with architects and planning offices. Our services include measurements in open areas using laser technology, 3D design, in-house production using state-of-the-art machinery and professional, proper installation. FISCHER lighting systems is certified in accordance with DIN EN ISO 9001:2015 and possess all the legally prescribed manufacturer qualifications for steel and aluminium structures. At FISCHER, safety and security in public spaces is our primary concern.

WE DON'T JUST TAKE CARE OF GOOD LIGHTING.

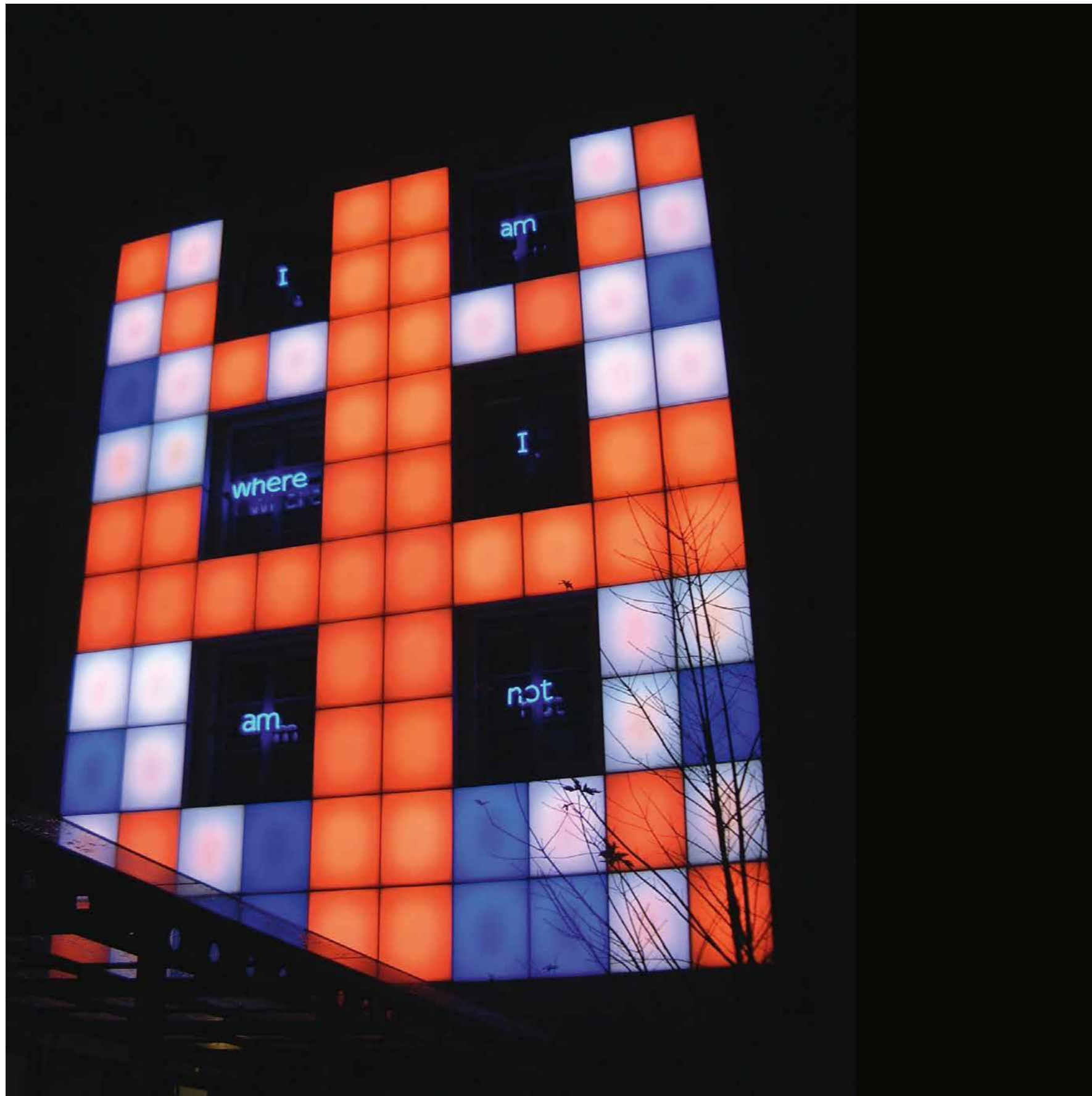
MEDIA CARRIER SYSTEMS, LIGHT PIPES AND CARRIER PROFILES

Tailored to your individual wishes, we produce lighting systems made of extruded aluminium or stainless steel profiles, which we install with high-quality industrial luminaires. Choose your surface: powder-coated as per RAL or silver anodised. Loudspeakers, video cameras, fire alarms, etc. can be integrated into these lighting systems. FISCHER LIGHTING SYSTEMS are approved for use in railway stations (to illuminate the platforms), in underpasses, congress and shopping centres, and other public spaces. Our media carrier systems were listed by Deutsche Bahn as B 04.50.010 - 021 and can still be used or installed.



HANDRAILS

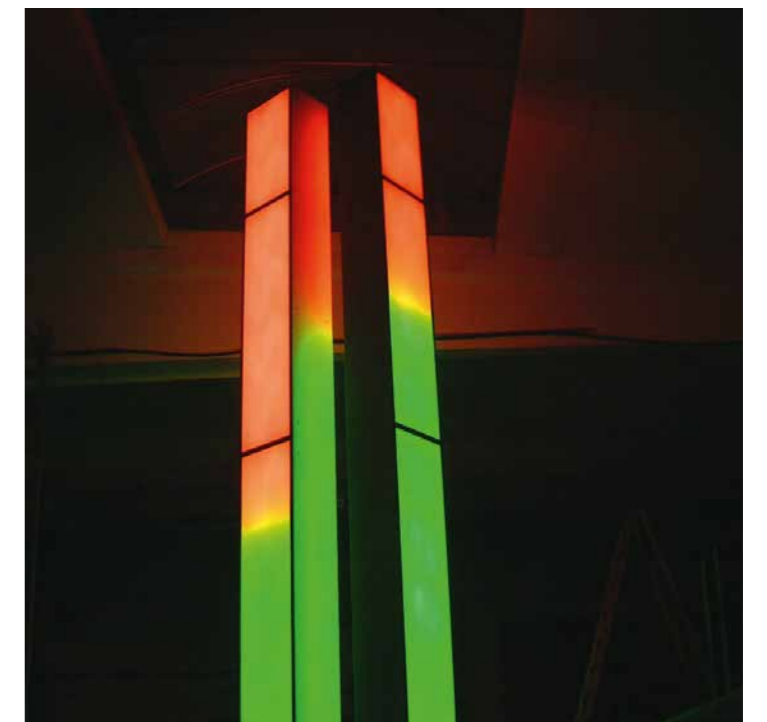
Our handrails are available in angular or oval shapes to ensure the best possible appearance and suitability on site. They are made of extruded aluminium profiles with structured Makrolon covers. For lighting, we use either industrial luminaires – including customised reflector technology – or particularly energy-efficient FISCHER LED technology. Our handrails can follow even the most complex angles and are thus ideally suited for escalators, staircases and other routings in airports or shopping centres. In these applications, they ensure safety while setting bright accents.



THE 'HOUSE OF COMMUNICATION'

BUILDING ART

You can create unique lighting designs and works of illumination art with FISCHER. We realise projects by globally renowned light artists in an expert manner on your behalf. We implement your building designs using high-quality materials, combined with the latest lighting technology and control electronics. FISCHER manufactured 76 individually controllable colour panels for the façade depicted here of the 'House of Communication' on Brienner Strasse in Munich, the headquarters of the SERVICEPLAN advertising agency. The Internet Art Façade project received the prestigious International Media Art Award in 2004.

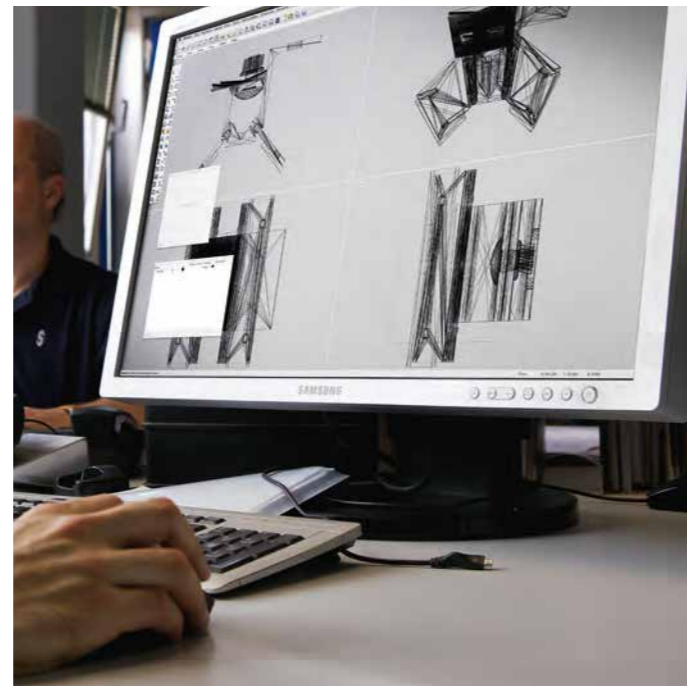


A LIGHT COLUMN
IN SEOUL

EVERYTHING FROM A SINGLE SOURCE

DEVELOPMENT

New ideas – both yours and ours – are our day-to-day business. Creativity in design and technology as well as expertise in lighting technology are our strengths. Technical benefits and cost-effectiveness are the top priorities of our development work.



DESIGN

We transfer your ideas to the drawing board: prototyping, photometric tests and state-of-the-art 3D design – all in-house. Naturally, we also take care of the statics calculations and coordinate the building connections.



PRODUCTION

We manufacture using the most advanced CNC machines, on a floor space of 15,000 m². With the aid of strong craft skills, the infinitely versatile materials of sheet metal and acrylic glass can be shaped to produce appealing objects.

INSTALLATION

Measurements on site according to the plans with laser technology, also in open spaces. These are the prerequisites for quick, elegant installations. Our easily comprehensible assembly instructions guarantee error-free work. We carry out installations throughout Europe.

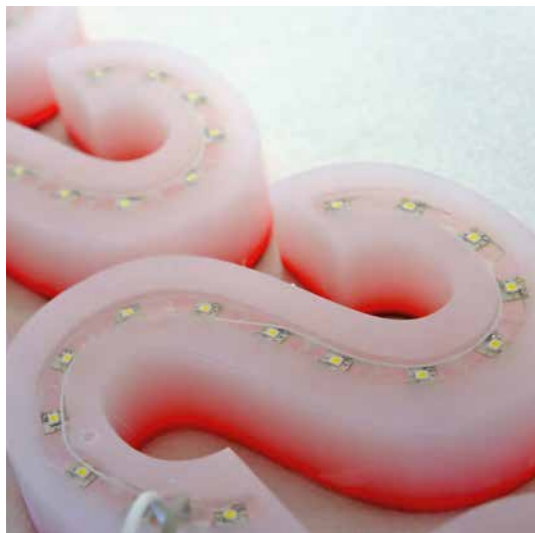


THE REAL ADDED VALUE FOR YOU AS A CUSTOMER

QUALITY, SAFETY & EFFICIENCY



We ensure the quality of your products with the quality of our work. As early as 1994, we introduced a quality management system according to international standards. With DIN EN ISO 9001:2015, we can demonstrate that customers and their expectations are always in the focus of our attention. We strive constantly to improve our products, our production processes and our customer service. Through the intelligent use of energy-efficient and long-lasting LEDs, we achieve homogeneous and high-intensity illumination with lighting elements in escalators and lifts.



LICHT & METALL

FISCHER Licht & Metall was founded in 1928 and is headquartered in Mühlhausen an der Sulz. 200 employees work in flexible manufacturing structures across a plant area of 40,000 m². An innovative team of engineers, designers, technicians, graphic artists and skilled workers guarantee first-class workmanship in our products.

OUR PRODUCTS

LIGHT PIPE - OVAL

DB 94



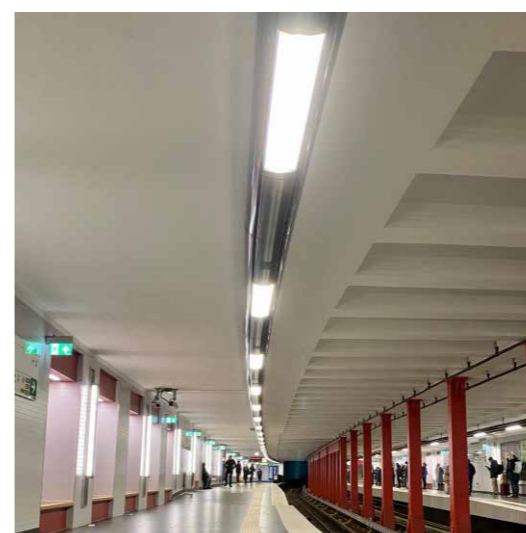
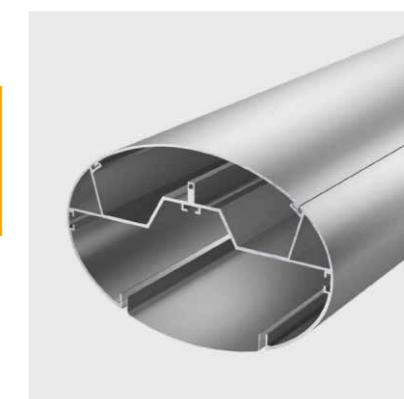
For mounting industrial luminaires, signals, loudspeakers, spotlights and cables

MATERIAL	Extruded aluminium profile AlMgSi 05
SURFACE	RAL powder-coated as per spec.
WEIGHT	Approx. 20 kg/m incl. luminaires and cables
DIMENSIONS	Width 285 mm, height 182 mm
REFERENCE	Landsberg (Lech) railway station

Previously in the DB luminaire selection list (DB-LAWL): B 04.50.012

LIGHT PIPE - OVAL

DB 1 / DB 1-B



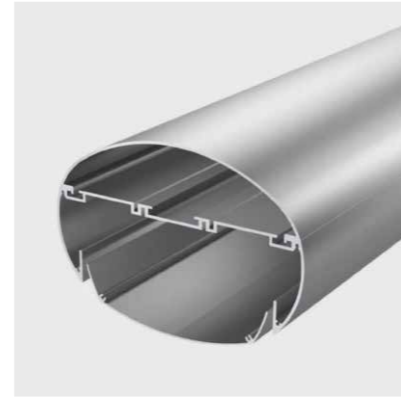
For mounting industrial luminaires, signals, loudspeakers, spotlights and cables

MATERIAL	Extruded aluminium profile AlMgSi 05
SURFACE	RAL powder-coated as per spec.
WEIGHT	Approx. 24 kg/m incl. luminaires and cables
DIMENSIONS	Width 360 mm, height 240 mm
REFERENCE	Bremen central railway station (DB 1) Hamburg City Hall Market (DB 1-B)

Previously in the DB luminaire selection list (DB-LAWL): B 04.50.012

LIGHT PIPE - OVAL

F 08



For mounting industrial luminaires, signals, loudspeakers, spotlights and cables

MATERIAL	Extruded aluminium profile AIMgSi 05
SURFACE	RAL powder-coated as per spec.
WEIGHT	Approx. 20 kg/m incl. luminaires and cables
DIMENSIONS	Width 285 mm, height 201 mm
REFERENCE	Krakow railway station, Poland Feucht railway station

Previously in the DB luminaire selection list (DB-LAWL): B 04.50.012

CARRIER PROFILE

F 08 H corner version



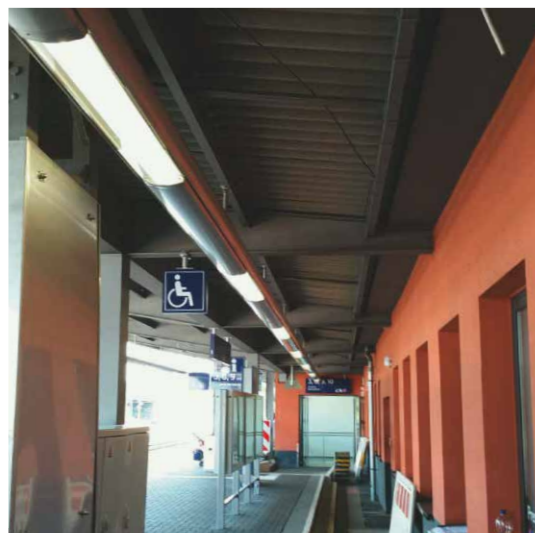
For mounting industrial lights e.g. NORKA KREUZBERG, loudspeakers, spotlights and cables

MATERIAL	Extruded aluminium profile
SURFACE	RAL powder-coated as per spec.
WEIGHT	Approx. 13 kg/m incl. luminaires and cables
REFERENCE	Cottbus central railway station

Installation external dimensions of the cross section:
Width 258 mm, height 259 mm

LIGHT PIPE - SEMI-OVAL

F 08 H



For mounting industrial luminaires, loudspeakers, spotlights and cables

MATERIAL	Extruded aluminium profile
SURFACE	RAL powder-coated as per spec.
WEIGHT	Approx. 13 kg/m incl. luminaires and cables
DIMENSIONS	Width 285 mm, height 134 mm
REFERENCE	Kettwig railway station

Previously in the DB luminaire selection list (DB-LAWL): B 04.50.021

CARRIER PROFILE

FLB 94 H

Version 1



For mounting industrial luminaires, loudspeakers, spotlights and cables

MATERIAL	Extruded aluminium profile
SURFACE	RAL powder-coated as per spec.
WEIGHT	Approx. 11 kg/m incl. luminaires and cables
DIMENSIONS	Width 285 mm, height 100 mm
REFERENCE	Kamp Bornhofen

Previously in the DB luminaire selection list (DB-LAWL): B 04.50.021

CARRIER PROFILE

FLB 94 H

Version 2



For mounting industrial luminaires, loudspeakers, spotlights and cables

MATERIAL	Extruded aluminium profile
SURFACE	RAL powder-coated as per spec.
WEIGHT	Approx. 11 kg/m incl. luminaires and cables
DIMENSIONS	Width 285 mm, height 100 mm
REFERENCE	Gera central bus station

Previously in the DB luminaire selection list (DB-LAWL): B 04.50.021



CARRIER PROFILE

FT 02



For mounting industrial luminaires, signals, loudspeakers, spotlights and cables

MATERIAL	Extruded aluminium profile
SURFACE	RAL powder-coated as per spec.
WEIGHT	Approx. 11 kg/m incl. luminaires and cables
DIMENSIONS	Width 336 mm, height 108 mm
REFERENCE	Detmold railway station/underpass

Previously in the DB luminaire selection list (DB-LAWL): B 04.50.019



CARRIER PROFILE

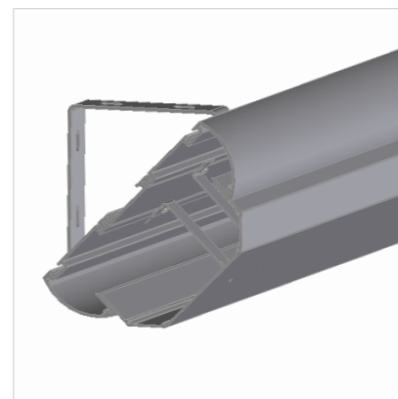
FLB 94 H corner version



For mounting industrial lights e.g. NORKA KARLSRUHE, loudspeakers, spotlights and cables

MATERIAL	Extruded aluminium profile
SURFACE	RAL powder-coated as per spec.
WEIGHT	Approx. 11 kg/m incl. luminaires and cables
REFERENCE	Paso Montelimar, France

Installation external dimensions of the cross section:
Width 244 mm, height 244 mm



CARRIER PROFILE

FB 02



For mounting industrial luminaires, signals, loudspeakers, spotlights and cables

MATERIAL	Extruded aluminium profile
SURFACE	RAL powder-coated as per spec.
WEIGHT	Approx. 11 kg/m incl. luminaires and cables
DIMENSIONS	Width 336 mm, height 102,5 mm
REFERENCE	Aying railway station

Previously in the DB luminaire selection list (DB-LAWL): B 04.50.019



LIGHT CHANNEL

225x300mm



For mounting industrial luminaires, loudspeakers, signals, spotlights and cables

MATERIAL	Extruded aluminium profile AlMgSi 05
SURFACE	RAL powder-coated as per spec.
WEIGHT	Approx. 32 kg/m incl. luminaires and cables
DIMENSIONS	Width 225 mm, height 300 mm
REFERENCE	Nuremberg-Sündersbühl station

LIGHT CHANNEL

225x150mm



For mounting industrial luminaires, loudspeakers, signals, spotlights and cables

MATERIAL	Extruded aluminium profile AlMgSi 05
SURFACE	RAL powder-coated as per spec.
WEIGHT	Approx. 29 kg/m incl. luminaires and cables
DIMENSIONS	Width 225 mm, height 150 mm
REFERENCE	Remagen pedestrian subway

LIGHT CHANNEL

225x250mm



For mounting industrial luminaires, loudspeakers, signals, spotlights and cables

MATERIAL	Extruded aluminium profile AlMgSi 05
SURFACE	RAL powder-coated as per spec.
WEIGHT	Approx. 29 kg/m incl. luminaires and cables
DIMENSIONS	Width 225 mm, height 250 mm
REFERENCE	Nuremberg city limits station

LIGHT CHANNEL

F 10



For mounting industrial luminaires, loudspeakers, spotlights and cables

MATERIAL	Extruded aluminium profile AlMgSi 05
SURFACE	RAL powder-coated as per spec.
WEIGHT	Approx. 31 kg/m incl. luminaires and cables
DIMENSIONS	Width 550 mm, height 110 mm
REFERENCE	Essen, Breslauer Strasse station



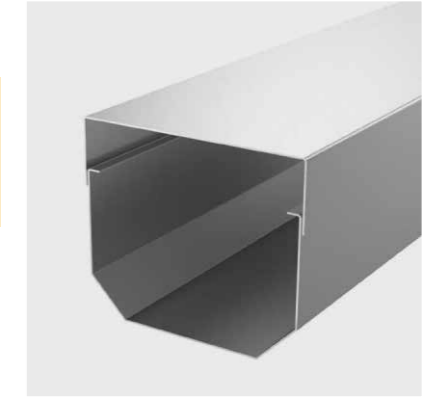
CARRIER PROFILE

FK 02



For mounting industrial luminaires, loudspeakers, spotlights and cables

MATERIAL	Stainless steel V2A
SURFACE	polished, grain 320
WEIGHT	Approx. 13 kg/m incl. luminaires and cables
DIMENSIONS	Width 100 - 300 mm, height 100 - 300 mm
REFERENCE	Marienplatz underground station, Munich



Previously in the DB luminaire selection list (DB-LAWL): B 04.50.020

LIGHT CHANNEL

F 18



For mounting industrial luminaires, loudspeakers, spotlights and cables

MATERIAL	Extruded aluminium profile AlMgSi 05
SURFACE	RAL powder-coated as per spec.
WEIGHT	Approx. 18 kg/m incl. luminaires and cables
DIMENSIONS	Width 150 mm, height 250 mm
REFERENCE	Cottbus central railway station



CARRIER PROFILE

F 02



For mounting industrial luminaires, loudspeakers, spotlights and cables

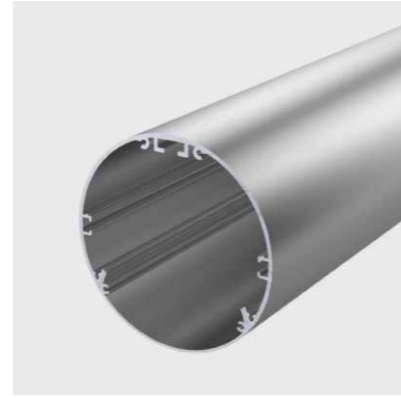
MATERIAL	Stainless steel V2A
SURFACE	polished, grain 320
WEIGHT	Approx. 9 kg/m incl. luminaires and cables
DIMENSIONS	Width 100 - 300 mm, height 100 - 300 mm
REFERENCE	Efringen underpass



Previously in the DB luminaire selection list (DB-LAWL): B 04.50.018

LIGHT PIPE

DB 150



For mounting industrial luminaires, loudspeakers, spotlights and cables

MATERIAL	Extruded aluminium profile AIMgSi 05
SURFACE	RAL powder-coated as per spec.
WEIGHT	Approx. 10 kg/m incl. luminaires and cables
DIMENSIONS	Diameter 150 mm
REFERENCE	Mering railway station

Previously in the DB luminaire selection list (DB-LAWL): B 04.50.013

LIGHT PIPE

DB 200



For mounting industrial luminaires, loudspeakers, spotlights and cables

MATERIAL	Extruded aluminium profile AIMgSi 05
SURFACE	RAL powder-coated as per spec.
WEIGHT	Approx. 12 kg/m incl. luminaires and cables
DIMENSIONS	Diameter 200 mm
REFERENCE	Bochum central railway station

Previously in the DB luminaire selection list (DB-LAWL): B 04.50.015

LIGHT PIPE

DB 175



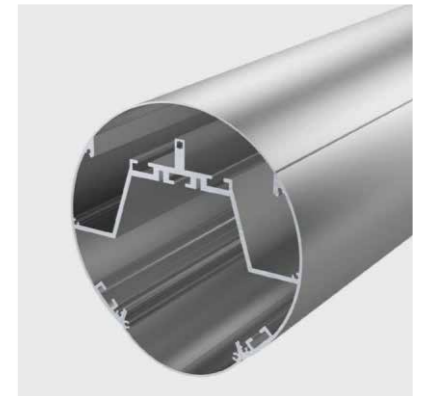
For mounting industrial luminaires, loudspeakers, spotlights and cables

MATERIAL	Extruded aluminium profile AIMgSi 05
SURFACE	RAL powder-coated as per spec.
WEIGHT	Approx. 12 kg/m incl. luminaires and cables
DIMENSIONS	Diameter 175 mm
REFERENCE	Kreuztal railway station

Previously in the DB luminaire selection list (DB-LAWL): B 04.50.014

LIGHT PIPE

LR 220



For mounting industrial luminaires, loudspeakers, spotlights and cables

MATERIAL	Extruded aluminium profile AIMgSi 05
SURFACE	RAL powder-coated as per spec.
WEIGHT	Approx. 20 kg/m incl. luminaires and cables
DIMENSIONS	Diameter 200 mm
REFERENCE	Hamburg Saarlandstrasse station

LIGHT PIPE

DB 300



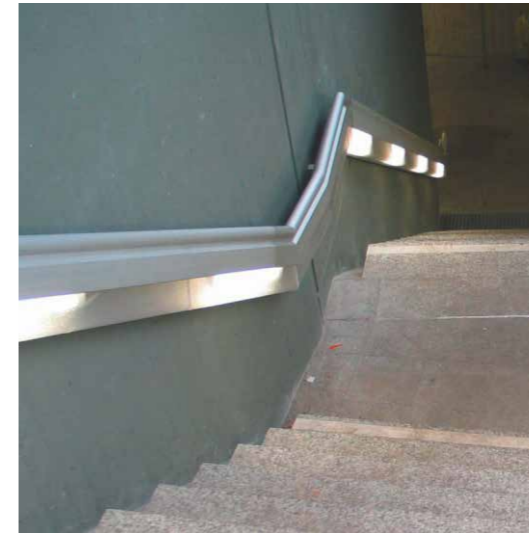
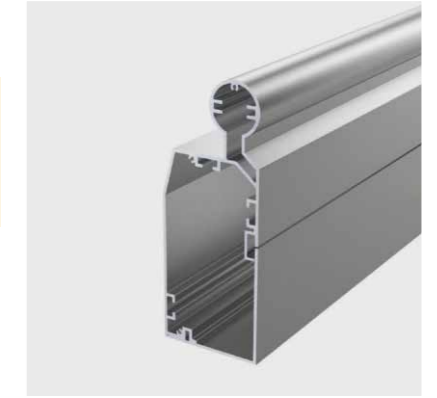
For mounting industrial luminaires, loudspeakers, spotlights and cables

MATERIAL	Extruded aluminium profile
SURFACE	RAL powder-coated as per spec.
WEIGHT	Approx. 26 kg/m incl. luminaires and cables
DIMENSIONS	Diameter 300 mm
REFERENCE	Fürth Hardhöhe station

Previously in the DB luminaire selection list (DB-LAWL): B 04.50.016

HANDRAIL

ANGULAR

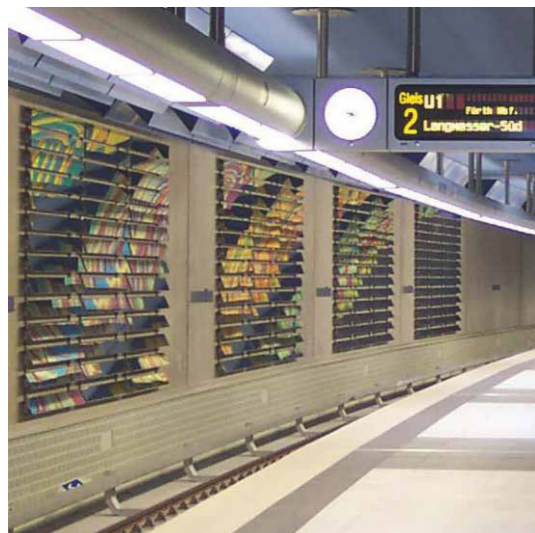
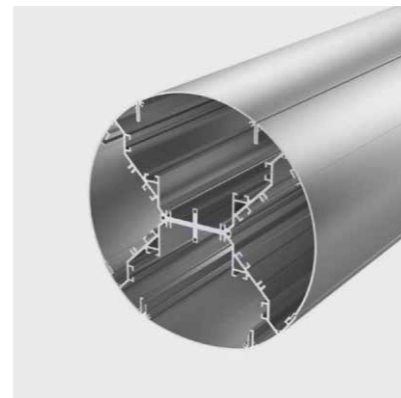


For mounting industrial luminaires, LED illumination, effect lights and cables

MATERIAL	Extruded aluminium profile AlMgSi 05
SURFACE	RAL powder-coated as per spec. or anodised E6/EV1 silver natural
WEIGHT	Approx. 10 kg/m incl. luminaires and cables
DIMENSIONS	Width 100 mm, height 258 mm
REFERENCE	Nuremberg Langwasser underground station

LIGHT PIPE

DB 400



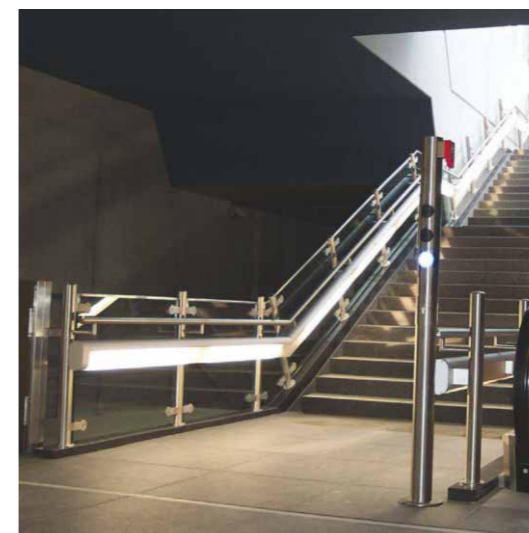
For mounting industrial luminaires, loudspeakers, spotlights and cables

MATERIAL	Extruded aluminium profile AlMgSi 05
SURFACE	RAL powder-coated as per spec. or anodised E6/EV1 silver natural
WEIGHT	Approx. 34 kg/m incl. luminaires and cables
DIMENSIONS	Diameter 400 mm
REFERENCE	Fürth Hardhöhe station

Previously in the DB luminaire selection list (DB-LAWL): B 04.50.017

HANDRAIL

OVAL



For mounting industrial luminaires, LED illumination, effect lights and cables

MATERIAL	Extruded aluminium profile AlMgSi 05
SURFACE	RAL powder-coated as per spec. or anodised E6/EV1 silver natural
WEIGHT	Approx. 6 kg/m incl. luminaires and cables
DIMENSIONS	Width 100 mm, height 180 mm
REFERENCE	Fürth Hardhöhe station

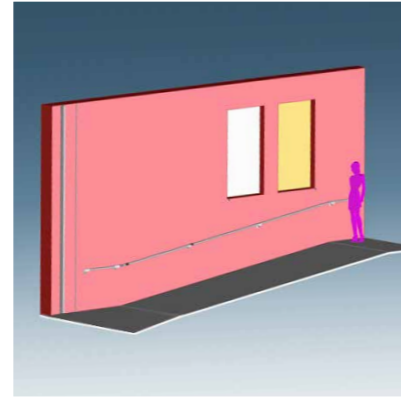
HANDRAIL

STAINLESS STEEL



Stainless steel handrails

MATERIAL	Stainless steel made of V2A/V4A, polished, grain 320
FEATURES	Suitable for indoor & outdoor use, connection cabling invisible via the wall bracket
DIMENSIONS	Diameter 42,4 mm or 48,3 mm
VARIATIONS	with and without LED lighting, Individually usable



HANDRAIL

OVAL LIGHT MODULE



Oval light module for stainless steel handrail

MATERIAL	Cover made of high-quality V4A stainless steel - High-gloss, aluminium heat sink
DIMENSIONS	130 x 14 x 17 mm
LED	Warm white (3000K) or Neutral white (4000K), Light output approx. 300 lm, Dimmable, Connection 24V DC, IP65, 2,5 watts



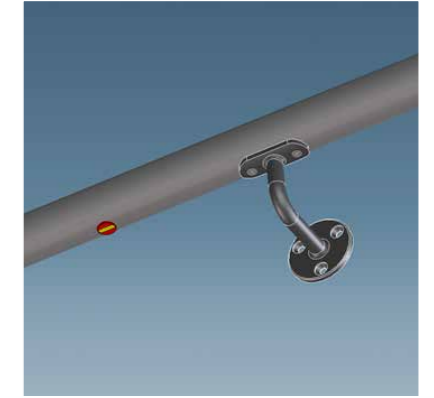
HANDRAIL

PUCK



This is just one of many PUCK examples:

MATERIAL	Stainless steel 316
DIMENSIONS	Diameter 16 mm, height 15 mm or 26 mm
LED	2700K / 3000K / 3500K / 4000K, Light output approx. 170 lm, Connection 24V DC, IP65 IP67, 1,4 watts



HANDRAIL

LED LIGHT STRIPS



Fully encapsulated LED strip

MATERIAL	Stainless steel in V2A or V4A
DIMENSIONS	Lengths from 250 - 1500 mm, Individual light distribution options
LED	Warm white (3000K) or Neutral white (4000K), Light output approx. 300 lm, Dimmable, Connection 24V DC, IP65 IP67, 6 - 20 watts/metre



OUR ACCESSORIES

PIGEON DEFENCE

SPIKES

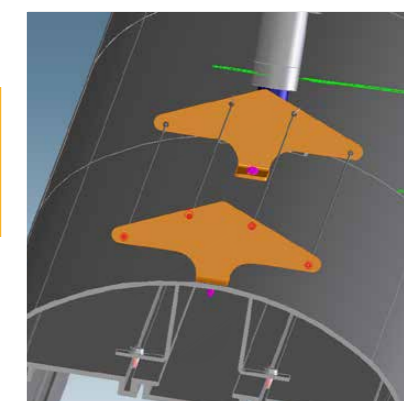


**Different variants available,
Profile-dependent 1-2 rows**

MOUNTING with drilling screws or rivets directly into the profile

PIGEON DEFENCE

WIRE ROPE

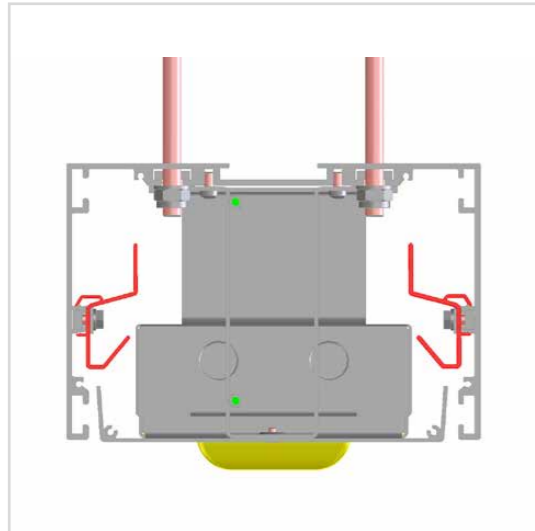


**Different variants available,
Depending on profile 1-4 rows**

MOUNTING with adjustable brackets in the profile screwed

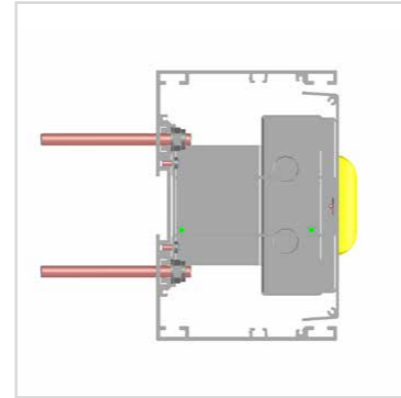
MOUNTING

WALL MOUNTING



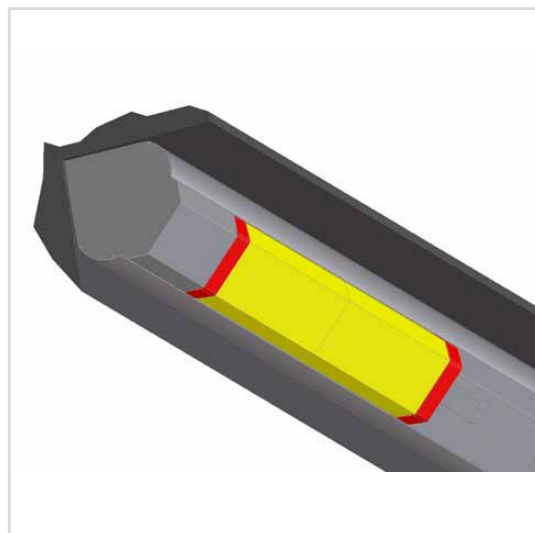
Direct wall or ceiling mounting

MOUNTING with impact or adhesive anchor, on steel or wooden structures & concrete



MOUNTING

CORNER MOUNTING



Corner mounting 45 degrees

MATERIAL Stainless steel V2A
MOUNTING with V2A angle bracket, with impact or adhesive anchor, on steel or wooden structures & concrete



MOUNTING

ROD PENDULUM



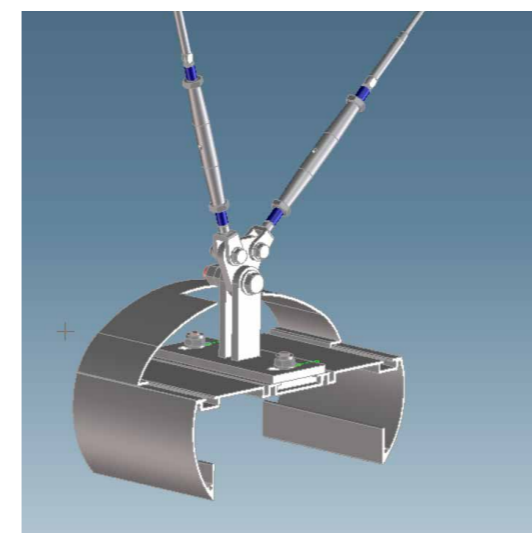
Rod pendulum

MATERIAL Stainless steel, galvanised steel or painted,
as a fixed rod pendant or with tilt adjustment
MOUNTING on steel or wooden structures & concrete
DIMENSIONS Length adjustable approx. 40 mm



MOUNTING

ROPE SUSPENSION



Rope suspension with shroud tensioner

MATERIAL Stainless steel, galvanised or painted steel
MOUNTING on steel or wooden structures & concrete



POSSIBLE COMBINATIONS

MEDIA CHANNELS

LUMINAIRE/PROFILE	DB 94 oval	DB 1	DB 1B	F 08 oval	F 08 H	F 08 HE
	p. 15	p. 15	p. 15	p. 16	p. 16	p. 17
Clear opening of the profiles/ for the width of the luminaire	200	200	224	224	224	224
Norka Hamm						
Norka Erfurt - LED						
Norka Marburg						
Norka Kreuzberg	X			X	X	X
Norka Brünn			X	X	X	X
Norka München - LED	X					
Norka Gera		X				
Norka Prag - LED		X				
Norka PHALANX						
Pracht Apollo LS T5/T8						
Pracht Apollo DDF PSR T5						
Pracht Apollo HLR PSR T5/T8						
Pracht Avus SR 1../.LB						
Pracht Bernina T5/T8				X	X	X
Pracht Samos T5/T8						
Pracht Troja						
Design-Plan Tuscan	X			X	X	X
Schmidt-Strahl-Resista	X			X	X	X
RIDI Survivor						

Optional: DNH loudspeaker (type: P3X2T) or VISATON (type: UL7N) are suitable for all FISCHER light tube systems. Loudspeaker DNH (type: P6-XXX) is suitable e.g. for profile LK225x150 and F08-1. Subject to technical changes.

Possible combinations serve as examples. Other luminaire manufacturers, special profiles and sizes are available on request.

CARRIER PROFILE

LUMINAIRE/PROFILE	FLB 94 H	FT 02	FB 02	LK 225x300	LK 225x250	LK 225x150	F 10	F 18	FK 02	F 02
	p. 17-18	p. 19	p. 19	p. 20	p. 20	p. 21	p. 22	p. 22	p. 23	p. 23
Clear opening of the profiles/ for the width of the luminaire	200	248/ 257	208/ 212	200	200	200	100 - 300	95	100 - 300	100 - 300
Norka Hamm							X			
Norka Erfurt - LED								X		
Norka Marburg										X
Norka Kreuzberg									X	
Norka Brünn			X							
Norka München - LED	X			X	X	X			X	X
Norka Gera				X	X	X				
Norka Prag - LED				X	X	X				
Norka PHALANX								X	X	X
Pracht Apollo LS T5/T8										
Pracht Apollo DDF PSR T5								X		
Pracht Apollo HLR PSR T5/T8										
Pracht Avus SR 1../.LB										
Pracht Bernina T5/T8										
Pracht Samos T5/T8									X	X
Pracht Troja		X								
Design-Plan Tuscan	X			X	X	X			X	
Schmidt-Strahl-Resista	X								X	
RIDI Survivor		X	X							

Optional: DNH loudspeaker (type: P3X2T) or VISATON (type: UL7N) are suitable for all FISCHER light tube systems. Loudspeaker DNH (type: P6-XXX) is suitable e.g. for profile LK225x150 and F08-1. Subject to technical changes.

Possible combinations serve as examples. Other luminaire manufacturers, special profiles and sizes are available on request.

LIGHT PIPE & HANDRAIL

LUMINAIRE/PROFILE	LIGHT PIPES						HANDRAILS	
	DB 150	DB 175	DB 200	LR 220	DB 300	DB 400	Angular	Oval
	p. 24	p. 24	p. 25	p. 25	p. 26	p. 26	p. 27	p. 27
Clear opening of the profiles/ for the width of the luminaire	109/ 119	132	115	109/ 119	200	200		
Norka Hamm								
Norka Erfurt - LED	X	X	X	X			X	X
Norka Marburg								
Norka Kreuzberg								
Norka Brünn							X	X
Norka München - LED						X		
Norka Gera					X	X		
Norka Prag - LED					X	X		
Norka PHALANX								
Pracht Apollo LS T5/T8							X	X
Pracht Apollo DDF PSR T5	X		X					
Pracht Apollo HLR PSR T5/T8		X	X					
Pracht Avus SR 1../.LB							X	X
Pracht Bernina T5/T8								
Pracht Samos T5/T8								
Pracht Troja								
Design-Plan Tuscan								
Schmidt-Strahl-Resista								
RIDI Survivor								

Optional: DNH loudspeaker (type: P3X2T) or VISATON (type: UL7N) are suitable for all FISCHER light tube systems. Loudspeaker DNH (type: P6-XXX) is suitable e.g. for profile LK225x150 and F08-1.

Subject to technical changes.

Possible combinations serve as examples. Other luminaire manufacturers, special profiles and sizes are available on request.



FISCHER LICHTSYSTEME GmbH
Rocksdorfer Str. 10 | 92360 Mühlhausen
www.lichtsysteme-fischer.de